

Guide rollers

SPECIFICATION

Types

- Type **ZL**: cylindrical
- Type **KV**: convex
- Type **KF**: wedge-shaped
- Type **KK**: concave
- Type **KR**: circular (O-ring)

Identification no.

- Version **1**: with bore
- Version **2**: with threaded stud

Outer ring

Plastic (Polyacetal POM)

Working temperature: 0° ... 40 °C

Inner ring / balls

Steel, blank

Threaded stud

Steel, zinc plated

O-ring rubber

NBR (Perbunan)

70 Shore A



INFORMATION

Guide rollers GN 753 are suitable for moving or guiding smaller loads. They are commonly used in drive engineering.

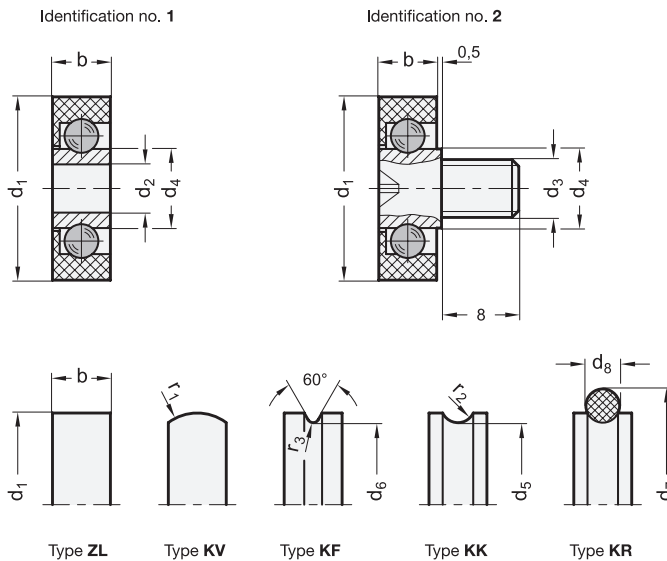
With the radial load bearing capacity given in the table, the guide rollers reach a minimum run time of 1 million revolutions. In general, the guide rollers should not be used under axial load.

TECHNICAL INFORMATION

- Elastomer characteristics (see page A32)
- Plastic characteristic (see page A2)

ON REQUEST

- Guide rollers with rivet spigot





GN 753

Description	d1	d2	d3	d4	d5	d6	d7	d8	b	r1	r2	r3	Radial load bearing capacity in N at max. 300 rpm	
GN 753-19-B5-KR-1	19	B 5	-	8.2	-	-	24	3.5	6	-	-	-	39	4
GN 753-22-B6-KR-1	22	B 6	-	9.5	-	-	29	5	7	-	-	-	156	7
GN 753-26-B6-KR-1	26	B 6	-	9.5	-	-	33	5	7	-	-	-	156	9
GN 753-19-B5-KF-1	19	B 5	-	8.2	-	17	-	-	6	-	-	0.6	39	2
GN 753-22-B6-KF-1	22	B 6	-	9.5	-	19	-	-	7	-	-	0.6	156	2
GN 753-26-B6-KF-1	26	B 6	-	9.5	-	23	-	-	7	-	-	0.6	156	2
GN 753-19-B5-KV-1	19	B 5	-	8.2	-	-	-	-	6	5	-	-	49	2
GN 753-22-B6-KV-1	22	B 6	-	9.5	-	-	-	-	7	5	-	-	196	3
GN 753-26-B6-KV-1	26	B 6	-	9.5	-	-	-	-	7	5	-	-	196	5
GN 753-19-B5-KK-1	19	B 5	-	8.2	17	-	-	-	6	-	1.75	-	39	3
GN 753-22-B6-KK-1	22	B 6	-	9.5	19.2	-	-	-	7	-	2.5	-	156	5
GN 753-26-B6-KK-1	26	B 6	-	9.5	23.2	-	-	-	7	-	2.5	-	156	7
GN 753-19-B5-ZL-1	19	B 5	-	8.2	-	-	-	-	6	-	-	-	49	3
GN 753-19-B6-ZL-1	19	B 6	-	8.2	-	-	-	-	7	-	-	-	49	3
GN 753-22-B6-ZL-1	22	B 6	-	9.5	-	-	-	-	7	-	-	-	196	5
GN 753-22-B8-ZL-1	22	B 8	-	9.5	-	-	-	-	7	-	-	-	196	6
GN 753-26-B6-ZL-1	26	B 6	-	9.5	-	-	-	-	7	-	-	-	196	7
GN 753-26-B10-ZL-1	26	B 10	-	9.5	-	-	-	-	7	-	-	-	196	8
GN 753-19-M6-KR-2	19	-	M 6	8.2	-	-	24	3.5	6	-	-	-	39	7
GN 753-22-M6-KR-2	22	-	M 6	9.5	-	-	29	5	7	-	-	-	156	10
GN 753-26-M6-KR-2	26	-	M 6	9.5	-	-	33	5	7	-	-	-	156	12
GN 753-19-M6-KF-2	19	-	M 6	8.2	-	17	-	-	6	-	-	0.6	39	6
GN 753-22-M6-KF-2	22	-	M 6	9.5	-	19	-	-	7	-	-	0.6	156	8
GN 753-26-M6-KF-2	26	-	M 6	9.5	-	23	-	-	7	-	-	0.6	156	10
GN 753-19-M6-KV-2	19	-	M 6	8.2	-	-	-	-	6	5	-	-	49	6
GN 753-22-M6-KV-2	22	-	M 6	9.5	-	-	-	-	7	5	-	-	196	8
GN 753-26-M6-KV-2	26	-	M 6	9.5	-	-	-	-	7	5	-	-	196	10
GN 753-19-M6-KK-2	19	-	M 6	8.2	17	-	-	-	6	-	1.75	-	39	6
GN 753-22-M6-KK-2	22	-	M 6	9.5	19.2	-	-	-	7	-	2.5	-	156	8
GN 753-26-M6-KK-2	26	-	M 6	9.5	23.2	-	-	-	7	-	2.5	-	156	9
GN 753-19-M6-ZL-2	19	-	M 6	8.2	-	-	-	-	6	-	-	-	49	6
GN 753-22-M6-ZL-2	22	-	M 6	9.5	-	-	-	-	7	-	-	-	196	9
GN 753-26-M6-ZL-2	26	-	M 6	9.5	-	-	-	-	7	-	-	-	196	10